

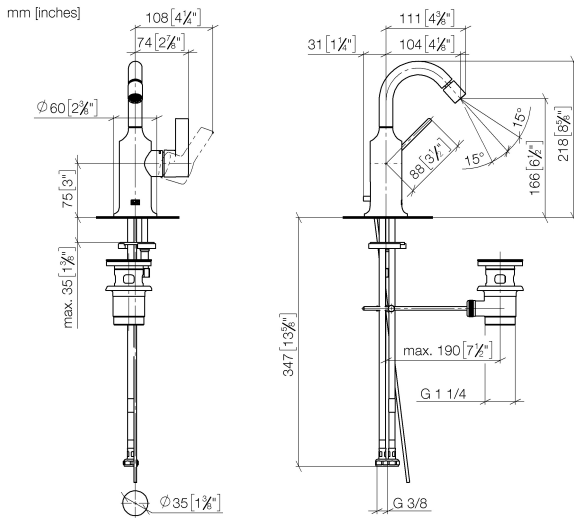
33 600 809



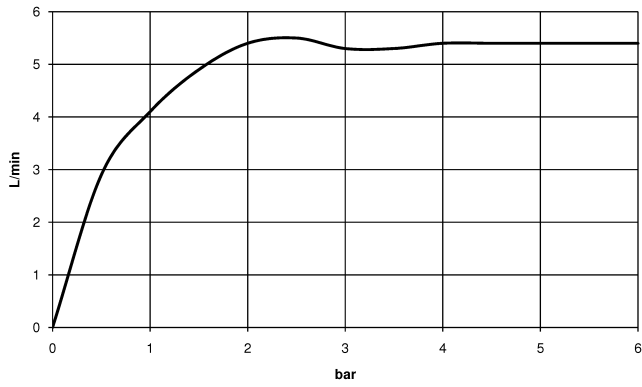
- 104mm projection
- ball-joint pivotable through 15° (in any direction)
- circular, air-enriched flow
- height of mixer 218 mm
- height up to aerator 166 mm
- hole diameter 35 mm
- rosette Ø 60 mm
- 2x screw-in M 10 x 1 pressure hose, leak-tested
- max. flow 5.7 l/min
- lead-free

	Chrome	33 600 809-00
	Brushed Platinum	33 600 809-06
	Platinum	33 600 809-08
	Dark Chrome	33 600 809-19
	Brushed Durabronze (23kt Gold)	33 600 809-28
	Brushed Champagne (22kt Gold)	33 600 809-46
	Champagne (22kt Gold)	33 600 809-47
	Brushed Dark Platinum	33 600 809-99

33 600 809



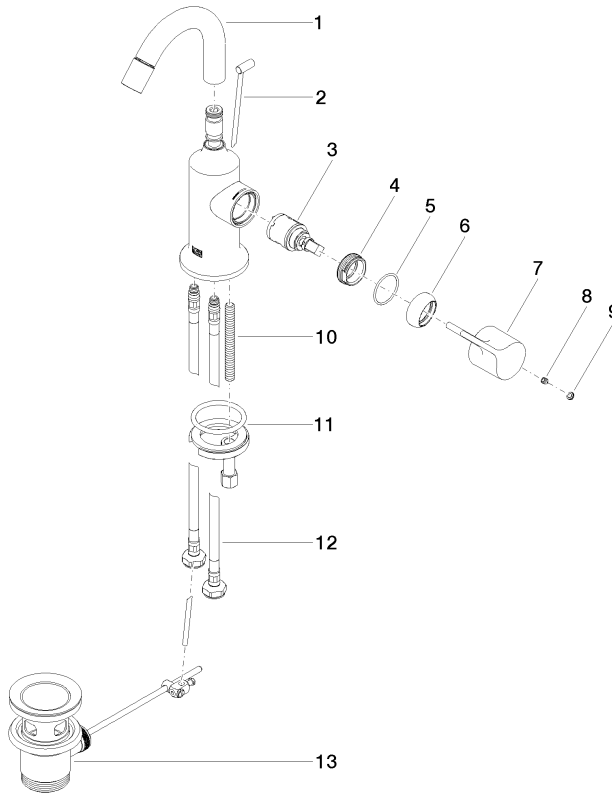
Flow rate chart



Certificates

WRAS_1804054. LGA_38659. WRAS_240202026.

33 600 809



Spare parts list

No.	Item Number	Name	Quantity used	Delivery time
1	90 28 22 314 00-00	spout	1	10
2	04 20 89 035 80-00	pull-rod	1	10
3	90 15 05 042 00 90	cartridge	1	2
4	09 24 04 266 90	nut	1	2
5	09 14 10 091 90	seal	1	2
6	09 28 30 021-00	cover	1	10
7	09 20 80 020-00	handle	1	10
8	90 31 11 030 00 90	pin	1	2
9	90 31 20 087 00-00	plug	1	10
10	09 31 11 011 90	pin	1	2
11	04 30 11 038 00 90	fixing set	1	2
12	04 30 04 100 00 90	hose	2	2
13	90 11 01 001 00-00	pop-up waste	1	10